

Ledbar 24 round wall/ceiling LED 2-wire dimming

SPECIFICATIONS

RDLB2R83006A



Design By

NA Design

Collection

Design



Specifications

Delivered lumens	1036lm
Light output ratio	100.58lm/W
Power consumption	10.3W
Led type	9W Array*
CCT (Correlated Color Temperature)	3000K
CRI (Color Rendering Index)	>80
Life expectancy	50000Hrs
Control type	Dimmable 2-Wire
Input Voltage	120V
Driver	HATCH - 1 x LC14-0350P-120-C

Colors & Finishes

- Anodized aluminum (Body)
- Grey (Endcaps & canopy)

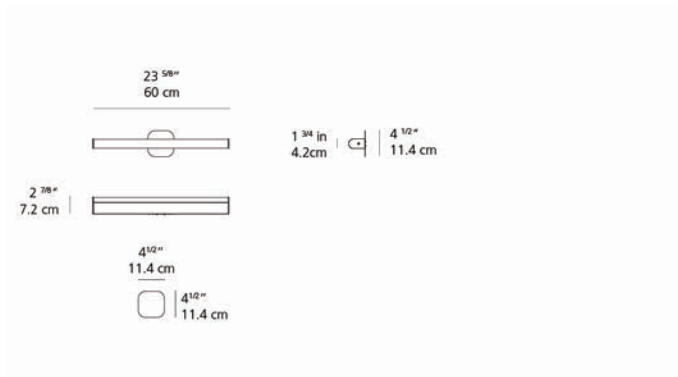
Materials

- Body in extruded aluminum
- End caps in die-cast aluminum
- Diffuser in extruded acrylic

Features & Accessories

- Supplied with a canopy cover plate in case of junction box mounting
- Canopy cover plate removable in case of pigtail mounting
- Optional: lumen output can be increased or lowered upon request for projects

Dimensions



Packaging

1 Box

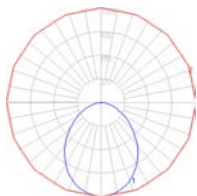
1 x 27-9/16" x 6-1/16" x 3-9/16" / 2.8 lbs - 69.85 cm x 15.24 cm x 8.89 cm / 1.27 kg

Light distribution

Direct

Luminaire weight

1.81 lbs / .82 kg



Red = Max Cd. Through Vertical plane

Blue = Max Cd. Through Horizontal plane

Warranty

5 year limited warranty, Upon registration. Click here to register your purchase.

Ledbar 36 round wall/ceiling LED 2-wire dimming

SPECIFICATIONS

RDLB3R83006A



Design By

NA Design

Collection

Design



Specifications

Delivered lumens	1554lm
Light output ratio	111.8lm/W
Power consumption	13.9W
Led type	12W Array*
CCT (Correlated Color Temperature)	3000K
CRI (Color Rendering Index)	>80
Life expectancy	50000Hrs
Control type	Dimmable 2-Wire**
Input Voltage	120V
Driver	HATCH - 1 x LC14-0500P-120-C

**Reverse or forward phase

Colors & Finishes

- Anodized aluminum (Body)
- Grey (Endcaps & canopy)

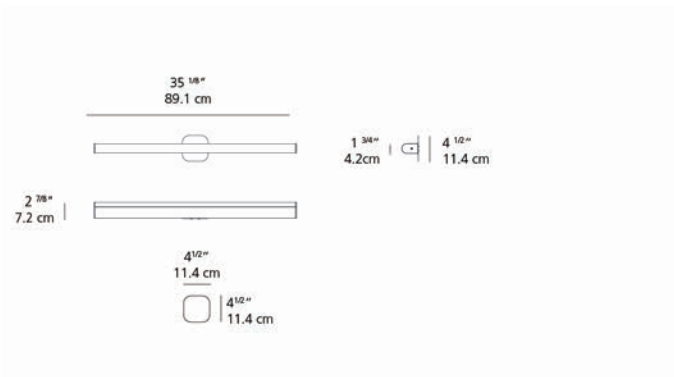
Materials

- Body in extruded aluminum
- End caps in die-cast aluminum
- Diffuser in extruded acrylic

Features & Accessories

- Supplied with a canopy cover plate in case of junction box mounting
- Canopy cover plate removable in case of pigtail mounting
- Optional: lumen output can be increased or lowered upon request for projects

Dimensions



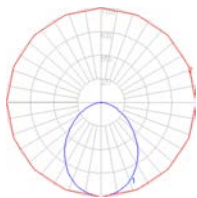
Packaging

1 Box

1 x 39-1/16" x 6-1/16" x 3-9/16" / 3.99 lbs - 99.06 cm x 15.24 cm x 8.89 cm / 1.81 kg

Light distribution

Direct



Red = Max Cd. Through Vertical plane

Blue = Max Cd. Through Horizontal plane

Luminaire weight

3 lbs / 1.36 kg

Warranty

5 year limited warranty,
Upon registration. Click [here](#)
to register your purchase.

Ledbar 48 round wall/ceiling LED 2-wire dimming

SPECIFICATIONS

RDLB4R83006A



Design By

NA Design

Collection

Design



Specifications

Delivered lumens	2072lm
Light output ratio	106.8lm/W
Power consumption	19.4W
Led type	16W Array*
CCT (Correlated Color Temperature)	3000K
CRI (Color Rendering Index)	>80
Life expectancy	50000Hrs
Control type	Dimmable 2-Wire**
Input Voltage	120V
Driver	HATCH - 1 x LC25-0700P-120-P

**Reverse or forward phase

Colors & Finishes

- Anodized aluminum (Body)
- Grey (Endcaps & canopy)

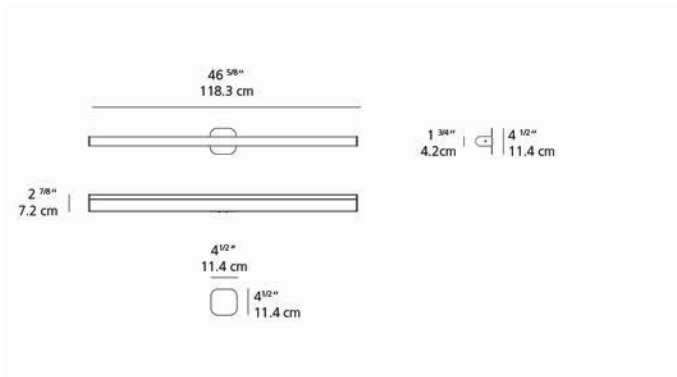
Materials

- Body in extruded aluminum
- End caps in die-cast aluminum
- Diffuser in extruded acrylic

Features & Accessories

- Supplied with a canopy cover plate in case of junction box mounting
- Canopy cover plate removable in case of pigtail mounting
- Optional: lumen output can be increased or lowered upon request for projects

Dimensions



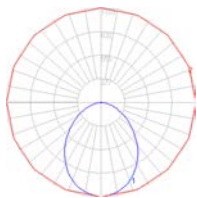
Packaging

1 Box

1 x 50-7/16" x 6-1/16" x 3-9/16" / 5.6 lbs - 127.95 cm x 15.24 cm x 8.89 cm / 2.54 kg

Light distribution

Direct



Red = Max Cd. Through Vertical plane

Blue = Max Cd. Through Horizontal plane

Luminaire weight

3.79 lbs / 1.72 kg

Warranty

5 year limited warranty, Upon registration. Click here to register your purchase.